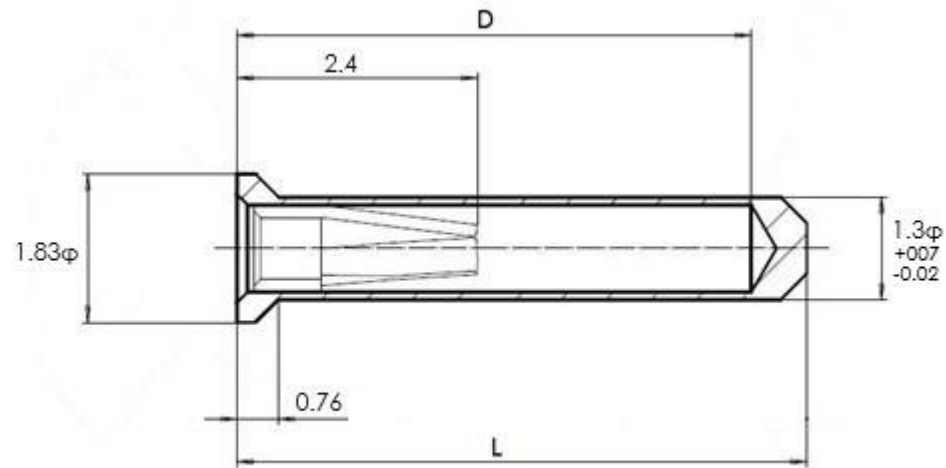


SPECIFICATION



Type	L	D	Dimension	
01417	4.2±0.05mm	3.7±0.05mm	Mating pin diameter range:	φ0.45~φ0.65
			Current rating:	1 Amp
			Contact resistance:	10mΩ or less
			Durability:	100 times or more
			Resistance of soldering temperature:	260°C for 10sec
			Operating temperature:	-40°C~+125°C