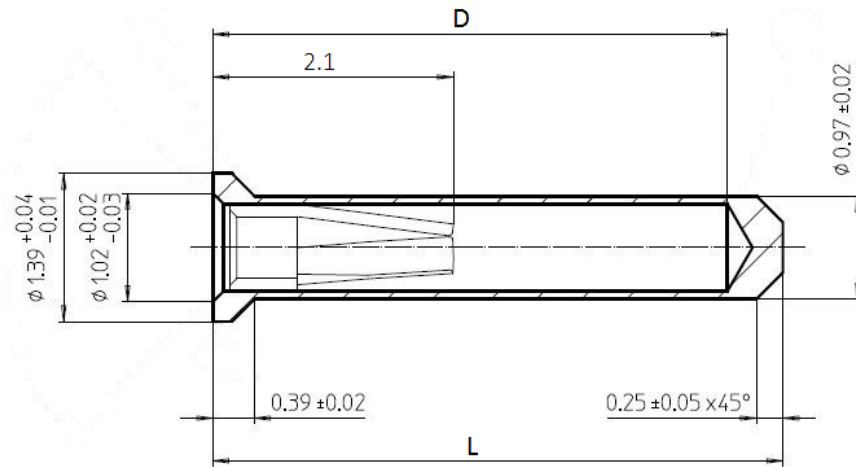


# SPECIFICATION



Dimension		
Type	L	D
01412	3.45±0.05mm	3.15±0.05mm
01418	4.27±0.05mm	3.75±0.05mm
01650	6.50±0.05mm	5.98±0.05mm

## 3-Finger

Mating pin diameter range: 0.36-0.52 mm  
 Compliancy  $\Delta$ : 0.12 mm  
 Min. mating pin length: 2.3 mm  
 Current rating: 3 A

